

Z-3080 series

CCD Barcode Scanner

INTRODUCTION

The Z-3080 CCD scanner with introduction of Zebex's newly designed scan engine, it ensures responsive, quick scanning with superior first read rate success, multiple decoding and features a rugged design housing with multiple interface and a quick disconnect/field replaceable cable design.

The Z-3080 series is ideal for point of sale (POS) and document tracking applications. The rugged design and reliability of this elite CCD scanner has earned literally thousands of matches in industrial and manufacturing locations as well.

Z-3080 series has all the advanced technologies that a CCD scanner could have. It is also priced at the best value, and yet it can be sure is the most smart choice that you should make.



• Z-3080 shown as Wall Mount



• Z-3080 shown as Surface Mount

FEATURES

- Durable trigger switch plus many kinds of scanning mode to choose
- Scanning speed up to 100 scans/sec.
- Good read LED indicator and tone programmable beeper
- Built-in decoder allows automatic recognition and decoding of most popular barcodes.
- Multi interface communication, RS-232C, C-MOS serial, Wand and Keyboard Emulation, All in one unit. Optional USB interface
- Superior optical performance with a minimum resolution of 0.127mm (5 mils) and maximum reading distance of 20mm.
- With a 80mm window will read barcode labels up to 80mm of width, scanning by approaching or touching the labels.
- Optional Zero power operation version

ZEBEX
TO BE THE BEST IN AUTO ID

Z-3080 CCD BARCODE SCANNER

SPECIFICATIONS

OPTICAL

Optical System	2048 pixel CCD (charge-coupled device)
Resolution	0.127mm (5 mils) (CODE 39, PCS=90%, when contact)
Scanning Width	80mm (3.15")
PCS Value	30% or more
Light Source	Visible LED (wave length 660nm)
Scan Rate	100 scans/sec
Reading Distance	20mm (EAN = 100%, PCS = 90%)

ELECTRICAL

Supply Voltage	5VDC \pm 10%
Operating Current	140 mA (Standard Version) 10 μ A (Special Version) (Zero Power Version, before press trigger)

ENVIRONMENTAL

Operating Temperature	0 ~ 50°C
Storage Temperature	-10 ~ 70°C
Humidity	5 ~ 95% RH (non-condensing)
Shock	1.0 meter drop to concrete
Max Ambient Light Rejection	1500 Lux (Fluorescence) 800 Lux (Sunlight)

MECHANICAL

Cable Length	Straight (2m)
Connector Type	RJ-45 phone jack connector
Weight	170g (5.9oz) excluding cable and connector
Case Material	ABS plastic

MULTI-INTERFACE

Keyboard emulation, C-MOS Serial, RS-232C Serial, and Wand emulation. All in one unit. Optional USB interface.

KEYBOARD EMULATIONS

IBM PC/XT/AT, IBM PS/2 Model 30-80, IBM 5550, 5530-SC, 5530-ZC, IBM 3196, 3472/3477, 5295 Terminal, NEC 9801, Apple MAC II, and more ...

DECODING CAPABILITIES

UPC A/E, EAN-8/JAN-8, EAN-13/JAN-13, Full ASCII Code 39, Code 39, Interleaved 2 of 5, Code 93, Codabar, Code 128, Chinese postcode, IATA, EAN-128, MSI Plessey
Optional: Code 11, STD 2 of 5, & Matrix 2 of 5

PROGRAMMABLE CHARACTERISTICS

Built-in decoder:

Type of interface
Code type selection, check digit selection
Decoding option
Transmitted character delay
Header selection, trailer selection
Good read beep tone and volume
Barcode identifier

Keyboard Emulation Configuration:

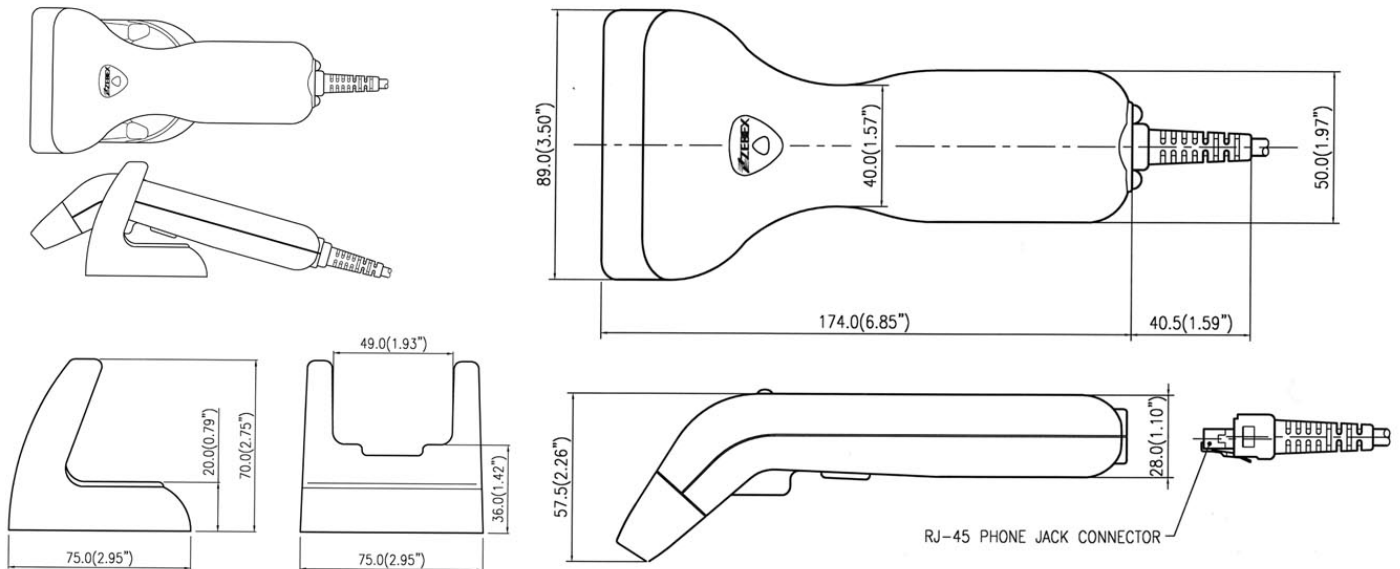
Inter-message delay, keyboard type and keyboard language

Serial Interface Type:

ACK/NAK, Xon/Xoff, RTS/CTS, Baud Rate, Data Bits, Stop Bits, Parity

Specifications are subject to change without notice. All brand names and registered trademarks are the property of their owners. The word ZEBEX and the ZEBEX logo are registered trademarks of Zebex Industries Inc.

© 2003 ZEBEX Catalogue No. CAT-30122-03



• STAND (OPTIONAL)

UNITS : mm (inch)



HEADQUARTERS
ZEBEX INDUSTRIES INC.
2F, 531-1, Chung Cheng Road,
Hsin-Tien City, Taipei, Taiwan
Telephone / +886-2-2218-2018
Facsimile / +886-2-2218-8670
WebSite / www.zebex.com.tw
E-mail / mail@zebex.com.tw

USA
ZEBEX AMERICA INC.
11 Ilene Court, Unit #2,
Hillsborough, NJ 08844
Telephone / +1-908-359-2070
Facsimile / +1-908-359-1272
WebSite / www.zebex.com
E-mail / sales@zebex.com

CHINA
ZEBEX INDUSTRIES (SHANGHAI) INC.
Number 1998, Qixin Road,
Minhang District, Shanghai, China
Telephone / +86-21-5479-4420
Facsimile / +86-21-5479-4421
WebSite / www.zebex.com.tw
E-mail / zebex@21cn.net